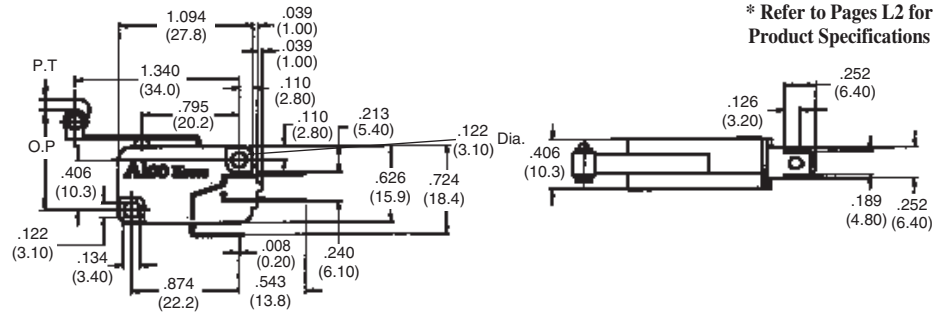


Miniature Normal Roller

Spade/Solder Type Terminal



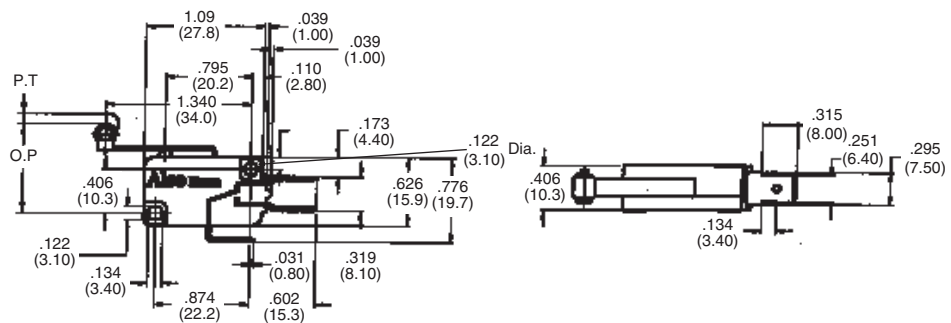
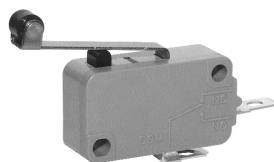
* Refer to Pages L2 for Product Specifications

Product Facts

- n .187 [4.75] tab with solder hole
- n Use with .187 [4.75] FASTON receptacles or solder directly to terminal
- n Roller to increase travel and operating position as well as reduce operating force

| AMP | Switch Position | Operating Force | Releasing Force | Pre Travel (P.T.) | Operating Position | Over Travel | Movement Differential | Part Number |
|------|-----------------|-----------------|-----------------|-------------------|--------------------|-------------|-----------------------|-------------|
| 16 | SPDT | 60g | 10g | 4.0 m/m | 20.7 ±1.6 | 1.3 m/m | 1.2 m/m | 1478603-6 |
| | | 120g | 20g | [.157] | [.815±.063] | [.051] | [.047] | 1478604-6 |
| | | 180g | 30g | | | | | 1478605-6 |
| | SPNC | 60g | 10g | 4.0 m/m | 20.7 ±1.6 | 1.3 m/m | 1.2 m/m | 1478609-6 |
| | | 120g | 20g | [.157] | [.815±.063] | [.051] | [.047] | 1478610-6 |
| | | 180g | 30g | | | | | 1478611-6 |
| SPNO | 60g | 10g | 4.0 m/m | 20.7 ±1.6 | 1.3 m/m | 1.2 m/m | 1478615-6 | |
| | 120g | 20g | [.157] | [.815±.063] | [.051] | [.047] | 1478616-6 | |
| | 180g | 30g | | | | | 1478617-6 | |
| 5 | SPDT | | | 4.0 m/m | 20.7 ±1.6 | 1.3 m/m | 1.2 m/m | 1478667-6 |
| | SPNC | 60g | 10g | [.157] | [.815±.063] | [.051] | [.047] | 1478668-6 |
| | SPNO | | | | | | | 1478669-6 |
| 0.1 | SPDT | | | 4.0 m/m | 20.7 ±1.6 | 1.3 m/m | 1.2 m/m | 1478670-6 |
| | SPNC | 35g | 6g | [.157] | [.815±.063] | [.051] | [.047] | 1478671-6 |
| | SPNO | | | | | | | 1478672-6 |

Spade Type Terminal



Product Facts

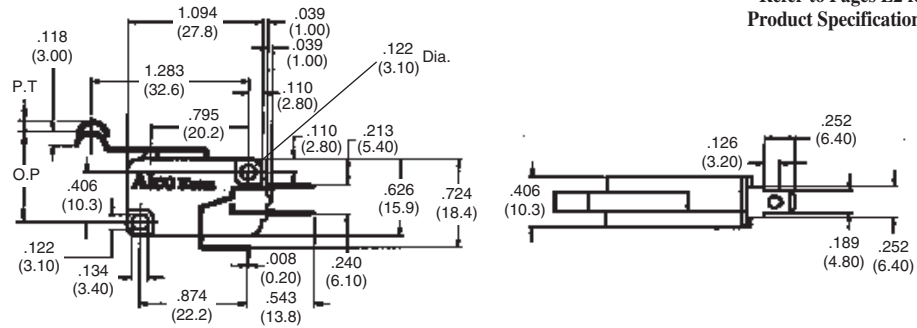
- n .250 [6.35] tab for use with .250 [6.35] FASTON receptacles
- n Roller to increase travel and operating position as well as reduce operating force

| AMP | Switch Position | Operating Force | Releasing Force | Pre Travel (P.T.) | Operating Position | Over Travel | Movement Differential | Part Number |
|------|-----------------|-----------------|-----------------|-------------------|--------------------|-------------|-----------------------|-------------|
| 16 | SPDT | 60g | 10g | 4.0 m/m | 20.7 ±1.6 | 1.3 m/m | 1.2 m/m | 1478606-6 |
| | | 120g | 20g | [.157] | [.815±.063] | [.051] | [.047] | 1478607-6 |
| | | 180g | 30g | | | | | 1478608-6 |
| | SPNC | 60g | 10g | 4.0 m/m | 20.7 ±1.6 | 1.3 m/m | 1.2 m/m | 1478612-6 |
| | | 120g | 20g | [.157] | [.815±.063] | [.051] | [.047] | 1478613-6 |
| | | 180g | 30g | | | | | 1478614-6 |
| SPNO | 60g | 10g | 4.0 m/m | 20.7 ±1.6 | 1.3 m/m | 1.2 m/m | 1478618-6 | |
| | 120g | 20g | [.157] | [.815±.063] | [.051] | [.047] | 1478619-6 | |
| | 180g | 30g | | | | | 1478620-6 | |

Miniature Simulator Lever

* Refer to Pages L2 for Product Specifications

Spade/Solder Type Terminal

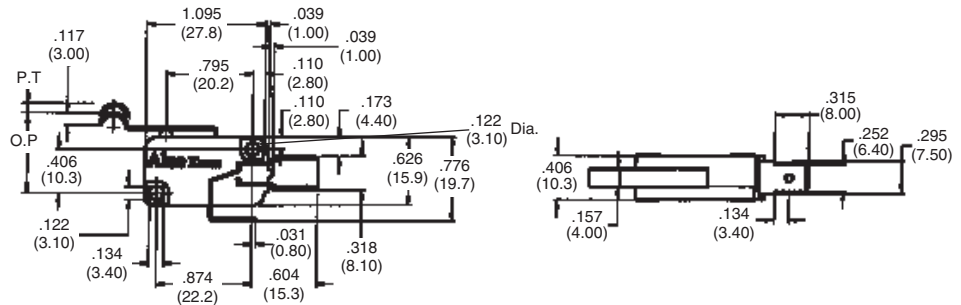


Product Facts

- n .187 [4.75] tab with solder hole
- n Use .187 [4.75] FASTON receptacles or solder directly to terminal
- n Simulator lever for operating position between a roller and a lever

| AMP | Switch Position | Operating Force | Releasing Force | Pre Travel (P.T.) | Operating Position | Over Travel | Movement Differential | Part Number |
|------|-----------------|-----------------|-----------------|-------------------|--------------------|-------------|-----------------------|-------------|
| 16 | SPDT | 60g | 10g | 4.0 m/m | 18.6 ±1.5 | 1.3 m/m | 1.2 m/m | 1478603-7 |
| | | 120g | 20g | [.157] | [.732±.059] | [.051] | [.047] | 1478604-7 |
| | | 180g | 30g | | | | | 1478605-7 |
| | SPNC | 60g | 10g | 4.0 m/m | 18.6 ±1.5 | 1.3 m/m | 1.2 m/m | 1478609-7 |
| | | 120g | 20g | [.157] | [.732±.059] | [.051] | [.047] | 1478610-7 |
| | | 180g | 30g | | | | | 1478611-7 |
| SPNO | 60g | 10g | 4.0 m/m | 18.6 ±1.5 | 1.3 m/m | 1.2 m/m | 1478615-7 | |
| | 120g | 20g | [.157] | [.732±.059] | [.051] | [.047] | 1478616-7 | |
| | 180g | 30g | | | | | 1478617-7 | |
| 5 | SPDT | | | 4.0 m/m | 18.6 ±1.5 | 1.3 m/m | 1.2 m/m | 1478667-7 |
| | SPNC | 60g | 10g | [.157] | [.732±.059] | [.051] | [.047] | 1478668-7 |
| | SPNO | | | | | | | 1478669-7 |
| 0.1 | SPDT | | | 4.0 m/m | 18.6 ±1.5 | 1.3 m/m | 1.2 m/m | 1478670-7 |
| | SPNC | 35g | 6g | [.157] | [.732±.059] | [.051] | [.047] | 1478671-7 |
| | SPNO | | | | | | | 1478672-7 |

Spade Type Terminal



Product Facts

- n .250 [6.35] tab for use with .250 [6.35] FASTON receptacles
- n Simulator lever for operating position between a roller and a lever

| AMP | Switch Position | Operating Force | Releasing Force | Pre Travel (P.T.) | Operating Position | Over Travel | Movement Differential | Part Number |
|------|-----------------|-----------------|-----------------|-------------------|--------------------|-------------|-----------------------|-------------|
| 16 | SPDT | 60g | 10g | 4.0 m/m | 18.6 ±1.5 | 1.3 m/m | 1.2 m/m | 1478606-7 |
| | | 120g | 20g | [.157] | [.732±.059] | [.051] | [.047] | 1478607-7 |
| | | 180g | 30g | | | | | 1478608-7 |
| | SPNC | 60g | 10g | 4.0 m/m | 18.6 ±1.5 | 1.3 m/m | 1.2 m/m | 1478612-7 |
| | | 120g | 20g | [.157] | [.732±.059] | [.051] | [.047] | 1478613-7 |
| | | 180g | 30g | | | | | 1478614-7 |
| SPNO | 60g | 10g | 4.0 m/m | 18.6 ±1.5 | 1.3 m/m | 1.2 m/m | 1478618-7 | |
| | 120g | 20g | [.157] | [.732±.059] | [.051] | [.047] | 1478619-7 | |
| | 180g | 30g | | | | | 1478620-7 | |

L
Miniature Simulator Lever